

Stagnation Resistance of Hydraulic Connectors for Solar Thermal Applications

Trade name:	Geberit Mapress
Type:	Pressfitting
Company:	Geberit Mapress GmbH
Certificate No:	SPF13-152SRHC
Validity:	03.2013 – 02.2018

The hydraulic connectors **Geberit Mapress** for solar thermal applications, made by **Geberit Mapress GmbH** in **DE-40764 Langenfeld** fulfil the requirements of the SPF-certification procedure "Stagnation Resistance of Hydraulic Connectors in Solar Thermal Applications" version 1.1 (Test report J152SRHC). The connectors are considered as suitable for a lifetime exceeding 20 year when used in standard solar thermal installations and therefore have been awarded with the SPF quality certificate **SPF13-152SRHC**.

This certificate covers the following sizes and subtypes:

Geberit Mapress
d12, d15, d18, d22, d28, d35, d42, d54, d76.1, d88.9, d108 mm

The validity of this certificate can be checked under www.solarenergy.ch

Rapperswil, 18.02.2013

Dr. Andreas Bohren
Head of SPF Testing


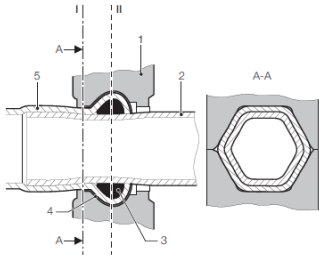

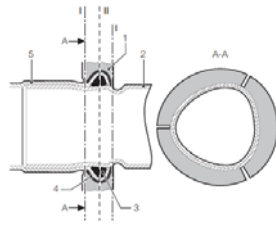
Company Geberit Mapress GmbH
Kronprinzstrasse 40
40764 Langenfeld
Germany

Product Pressfitting for Solar Thermal Applications
Dimensions d12, d15, d18, d22, d28,
d35, d42, d54, d76.1, d88.9, d108 mm

Test SPF Test procedure "Stagnation Resistance of Hydraulic Con-
nectors in Solar Thermal Applications" version 1.1

Validity 03.2013 – 02.2018

Identification

	
<p>Fig. 1 Fitting before installation</p>	<p>Fig. 3 Cross section Pressed connection (d12-d35)</p>
	
<p>Fig.2 Pressed Fitting</p>	<p>Fig. 4 Cross section Pressed connection (d42-d108)</p>

Rapperswil, 18.02.2013

Dr. Andreas Bohren
Head of SPF Testing